



# FORT LOUDOUN ELECTRIC COOPERATIVE

Specification For  
Member Owned Overhead Meter Pole  
For Mobile Home Installations

## COPPER CONDUCTOR CHART

200A	100A
2 - 2/0 (HOT)	2 - #4 (HOT)
1 - 1/0 (NEUT.) WHITE	1 - #4 (NEUT.) WHITE
1 - #4THW GREEN	1 - #4THW GREEN

## ALUMINUM CONDUCTOR CHART

200A	100A
2 - 4/0 (HOT)	2 - #2 (HOT)
1 - 2/0 (NEUT.) WHITE	1 - #2 (NEUT.) WHITE
1 - #4THW GREEN	1 - #4THW GREEN

**Note:** For commercial applications, wire size must be one size larger than stated on charts above.

**Note:** Can also mount meter base, disconnect, & weatherhead to wall of certain mobile homes.

POLE LOCATION MUST BE APPROVED BY FLEC ENGINEERING SERVICE DEPARTMENT PRIOR TO BEING INSTALLED!

TOP OF WEATHER HEAD MUST BE A MINIMUM OF 14 FOOT FROM GROUND LEVEL

### POLE REQUIREMENTS

- POLE MUST BE A MINIMUM 6 X 6 PRESSURE TREATED WOOD POST AT LEAST 20 FOOT LONG. (ROUND POLES MUST BE AT LEAST 4 3/4" AT SMALL END AND CAN ONLY BE CREOSOTED OR PRESSURE TREATED)
- POLE MUST BE SET AT A MINIMUM OF 5 FEET DEEP.
- BOTTOM OF PANEL MUST BE NO CLOSER THAN 2 FOOT FROM FINAL GRADE.
- METER BASE MUST NOT BE MORE THAN 5 1/2 FEET TO 6 FEET FROM GROUND LEVEL TO CENTER OF METER SOCKET
- #4 BARE COPPER UNBROKEN FROM METERBASE TO A SINGLE 8 FOOT DRIVEN GROUND ROD.

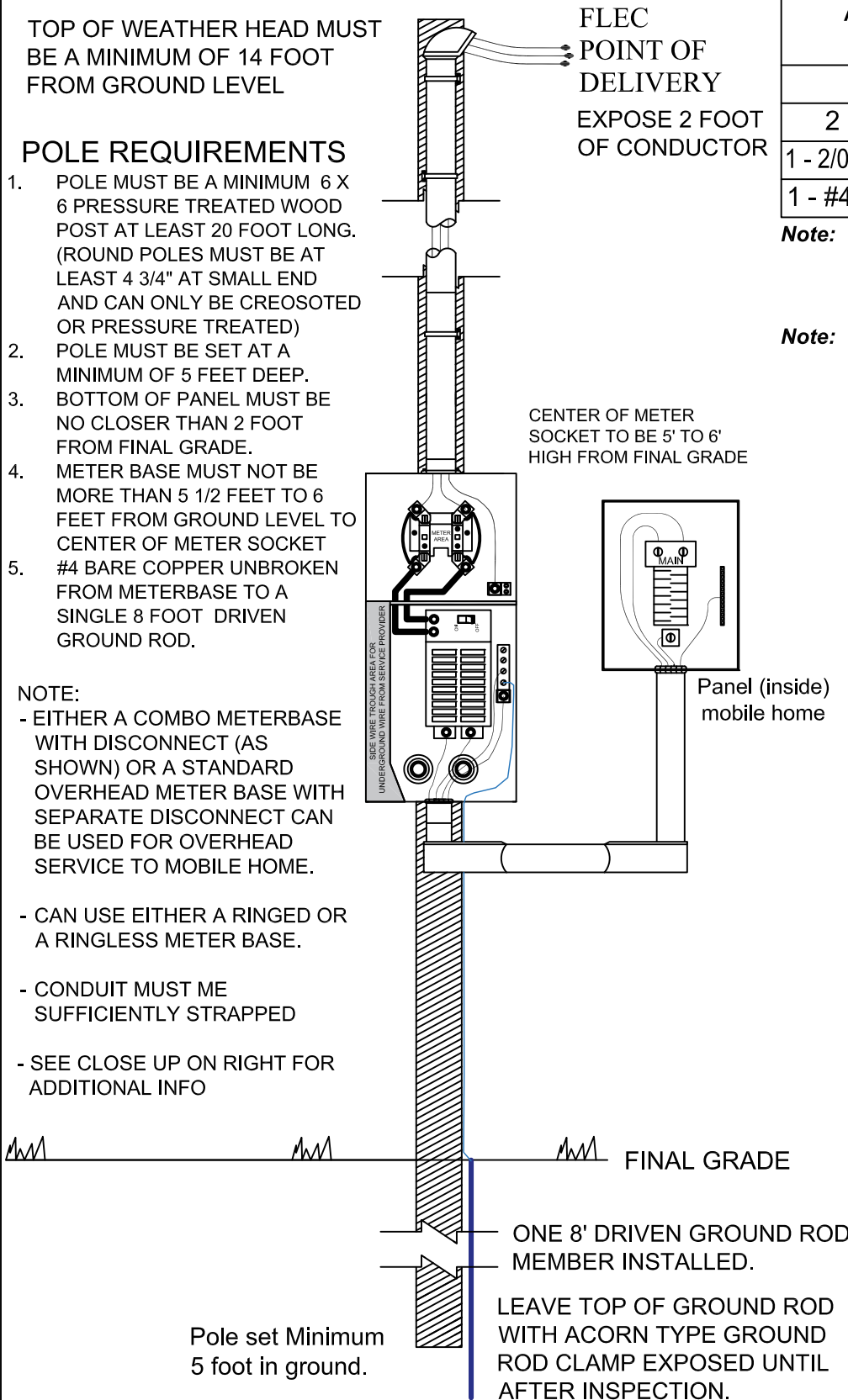
#### NOTE:

- EITHER A COMBO METERBASE WITH DISCONNECT (AS SHOWN) OR A STANDARD OVERHEAD METER BASE WITH SEPARATE DISCONNECT CAN BE USED FOR OVERHEAD SERVICE TO MOBILE HOME.

- CAN USE EITHER A RINGED OR A RINGLESS METER BASE.

- CONDUIT MUST BE SUFFICIENTLY STRAPPED

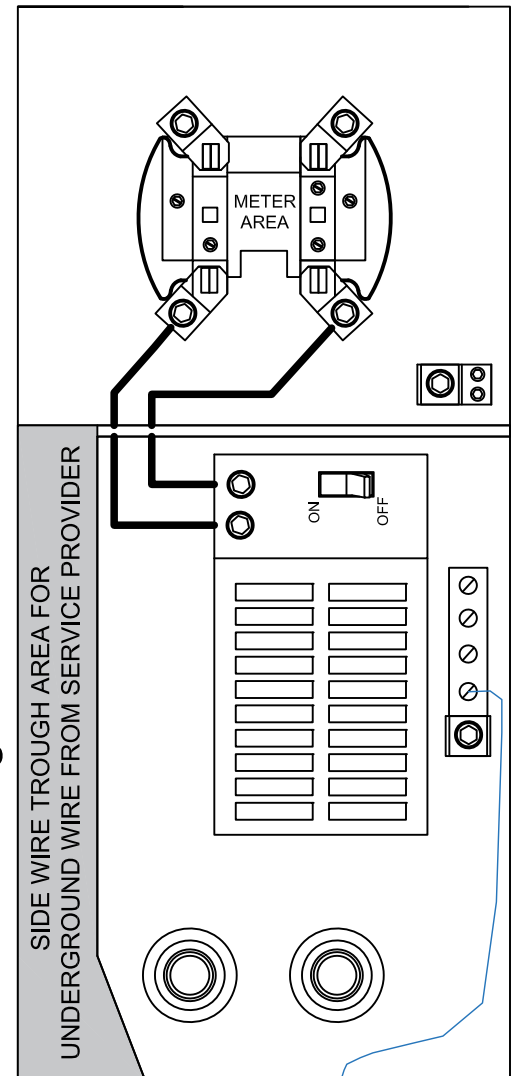
- SEE CLOSE UP ON RIGHT FOR ADDITIONAL INFO



Pole set Minimum 5 foot in ground.

ONE 8' DRIVEN GROUND ROD MEMBER INSTALLED.

LEAVE TOP OF GROUND ROD WITH ACORN TYPE GROUND ROD CLAMP EXPOSED UNTIL AFTER INSPECTION.



**FLEC IS A MEMBER OF THE TENNESSEE 811 SYSTEM**  
Call before digging to set meter pole and ground rod!

# FORT LOUDOUN ELECTRIC COOPERATIVE MEMBER OWNED OVERHEAD METER POLE FOR MOBILE HOME INSTALLATIONS

Electrical permits can be purchased and scheduled online at <http://www.core.tn.gov>. Be sure to keep all paperwork as you will need it again when its time for scheduling the inspections. You can also visit [www.flec.org](http://www.flec.org) for a list of issuing agents that sell permits over the phone.

This list is not all of the requirements, but it is some of the ones that give the most problems.

- Entrance location must be approved by FLEC Engineering Services Department prior to installation.
- Must have yellow copy of septic system permit from county health department. (Monroe Co. only)
- Dryer and Range must be 4 conductor cable, receptacle, and pigtail.
- Must have smoke detectors for bedroom areas.
- No exposed romex or other type wiring allowed under mobile home.
- All outlets, switches, and light fixtures must be in good repair.
- All wiring in ditch from disconnect to breaker box must be left visible for inspector.
- Ground rod clamp must be visible for inspection.
- Only 1 conductor to be attached to ground rod.
- No under pinning until after inspection.
- Conduit must be strapped under mobile home with galvanized strapping
- State Setup Permit (Purple Sticker)
- HVAC State Permit (When Applicable)
- Service Release Permit (Early On) is required for used mobile homes
- Final State Electrical Inspection
- Any aid of construction fees due must be paid before service will be hooked up.
  
- ***Property address must be marked on road and also on the structure being inspected (temp pole, RV pole, house, etc...)***
- ***Mobile home must be onsite prior to FLEC engineer site visit!***

**PLEASE CONTACT THE ELECTRICAL INSPECTOR CONCERNING ANY QUESTIONS ON WIRING.**

**FLEC IS A MEMBER OF THE TENNESSEE 811 SYSTEM.  
REMEMBER TO CALL 811 BEFORE YOU DIG  
SO THAT UNDERGROUND UTILITIES CAN BE MARKED.**