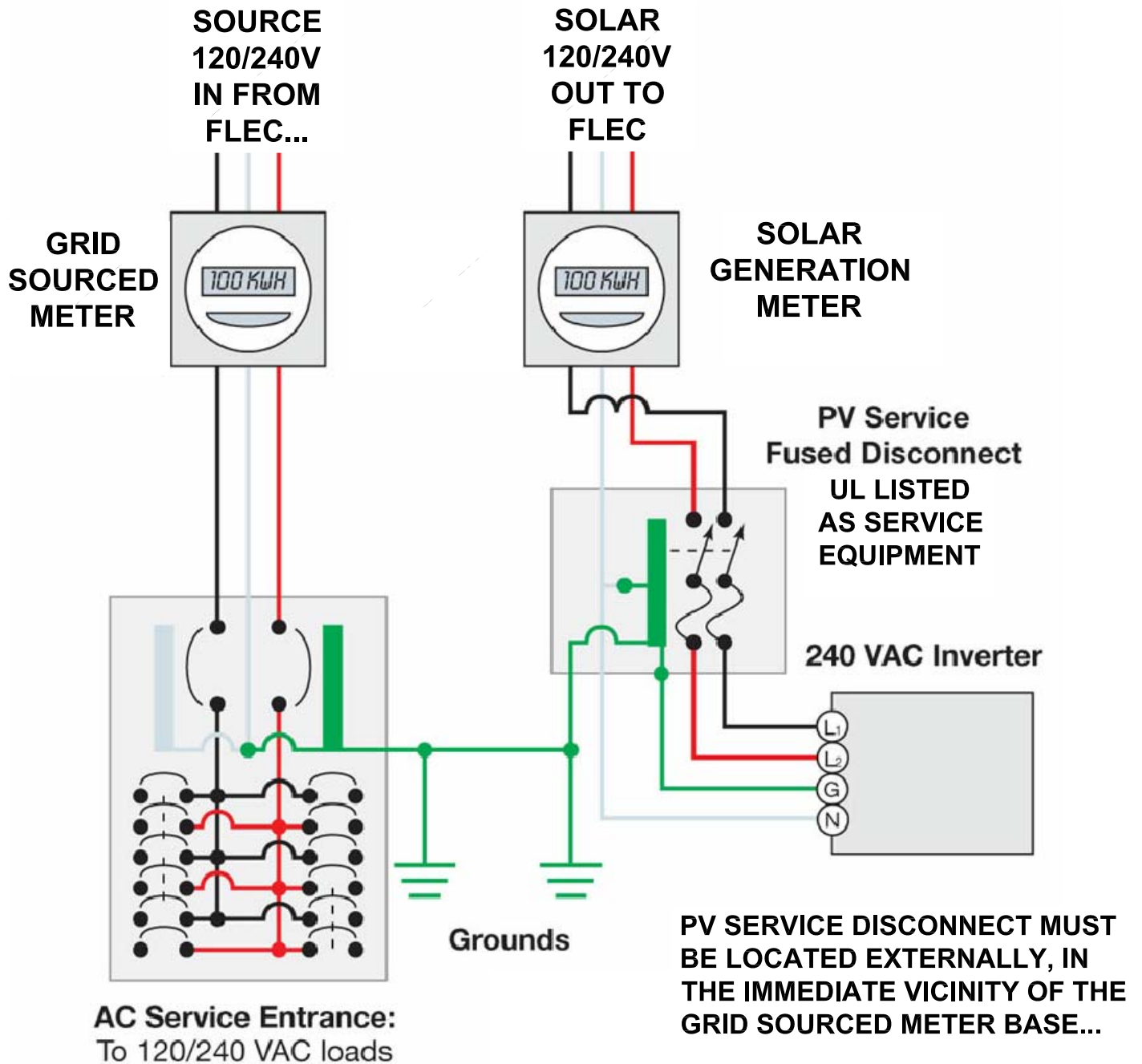


FORT LOUDOUN ELECTRIC COOPERATIVE TVA GPP/DPP SOLAR SYSTEM INTERCONNECT



- ** *Drawing is a representation of interconnection only.*
- ** *Member/Installer must meet all requirements of the National Electrical Code (NEC).*
- ** *Installations must be inspected by the State of Tennessee, Deputy Electrical Inspector.*
- ** *Installations must be tested by Fort Loudoun Electric Cooperative (FLEC) to ensure proper operation of inverter during Grid outage (automatic disconnecting of system).*
- ** *FLEC will require periodic testing/inspection to confirm proper operation of inverter.*